

Quick Start Guide

Start Here

It is strongly recommended that you follow these step-by-step instructions to set up and quickly begin using your new Digital Camera.

STEP

1

UNPACK THE BOX CONTENTS

Provided contents may differ depending on the camera kit. Make sure you have all the items shown in the provided contents list (printed separately).

REVIEW THE DOCUMENTATION

Quick Start Guide (this document)
Getting started with your digital camera.

Quick Reference Guide (reverse side of this document)
Quick guide to using common features and functions.

Advanced Manual
Detailed instructions on all camera features and functions.

Software Installation Guide (separate document on OLYMPUS Master CD-ROM)
Detailed instructions on installing the OLYMPUS Master software.

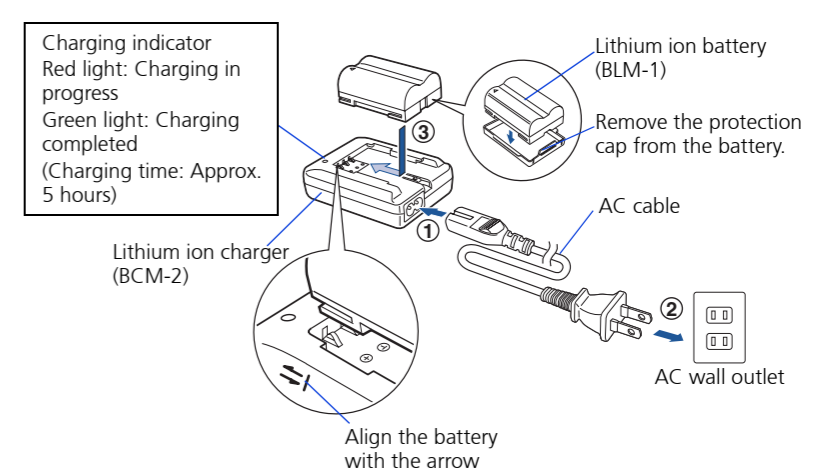
System chart

STEP

2

CHARGING THE LITHIUM ION BATTERY

Charge the Lithium ion battery using the provided charger. The Lithium ion battery is not fully charged when purchased. Before use, be sure to charge the Lithium ion battery.

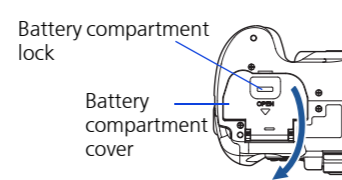


STEP

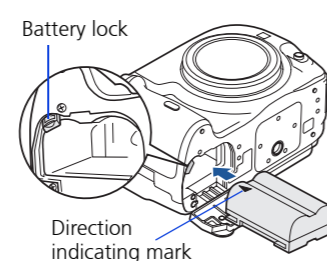
3

LOADING THE BATTERY

a. Push the battery compartment lock slightly towards and open the battery compartment cover.



b. Load and push the battery in until it is locked by the battery lock.



Unloading the battery

Press the battery lock to unlock and remove the battery.

STEP

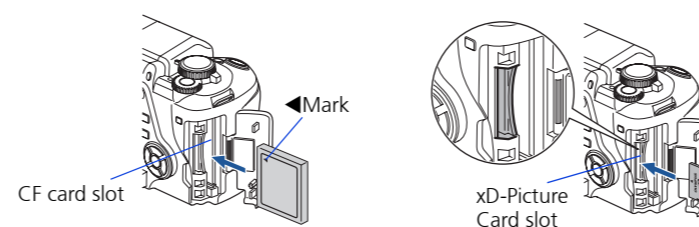
4

INSERT THE MEMORY CARD

This camera can use a Compact Flash, Microdrive or xD-Picture Card. These cards are optional.

a. Insert the card with the contact area facing in the direction shown in the illustration.

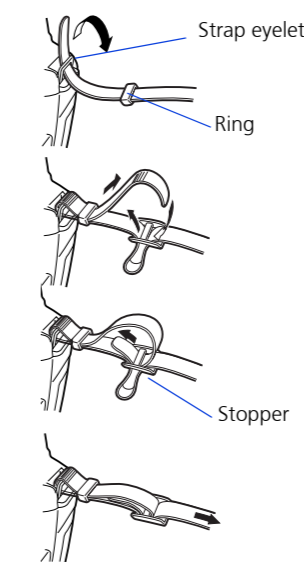
b. Close the card cover.



STEP

5

ATTACH THE STRAP



a. Thread one end of the strap through the strap eyelet on the camera.

b. Thread the end of the strap through the ring, then thread it through the stopper as indicated by the arrows.

c. Thread the strap back through the other hole of the stopper.

d. Pull the other side of the strap tight, making sure that it is fastened securely.

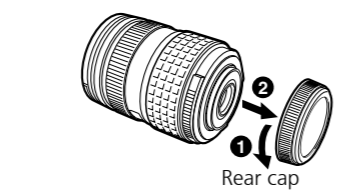
e. Repeat steps (a) - (d) to attach the other end of the strap to the other eyelet.

STEP

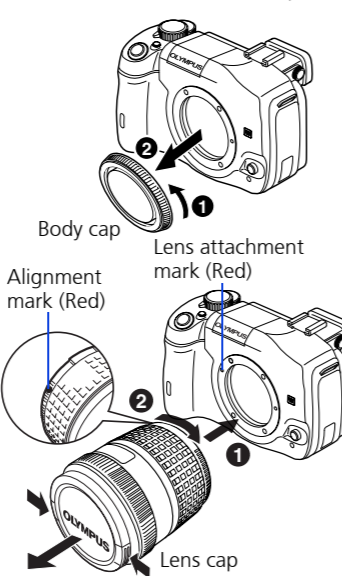
6

ATTACH A LENS

a. Remove the body cap from the camera and the rear cap from the lens.



b. Align the lens attachment mark (red) on the camera with the alignment mark (red) on the lens, then insert the lens into the camera's body. Rotate the lens clockwise until you hear it click.



c. Remove the lens cap.

STEP

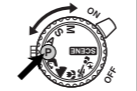
7

TURN ON THE CAMERA

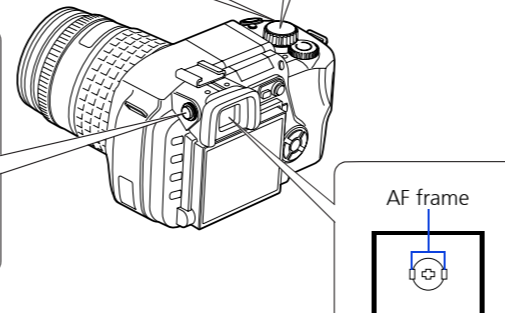
a. Set the power switch to **ON**. To turn off the power, set the power switch to **OFF**.



b. Set the mode dial to **P**.



c. While looking through the viewfinder, rotate the diopter adjustment dial little by little. When you can see the AF frame clearly, adjustment is complete.



STEP

8

SET THE DATE AND TIME

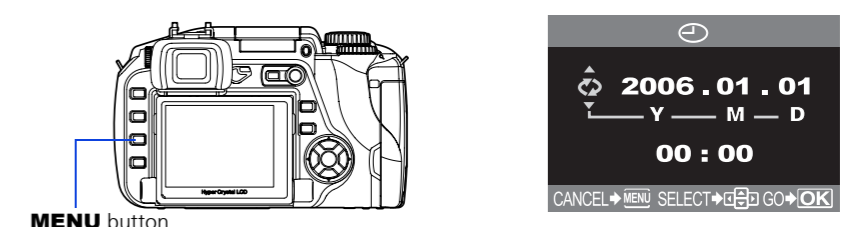
a. With the camera on, press the **MENU** button.

b. Use to select **tz** tab, then press . Use to select **00:00**, then press .

c. Use to select the date format, then press .

d. Use to set each item and press to move to the next item.

e. Press the button when you have finished entering the date and time.



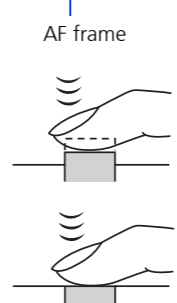
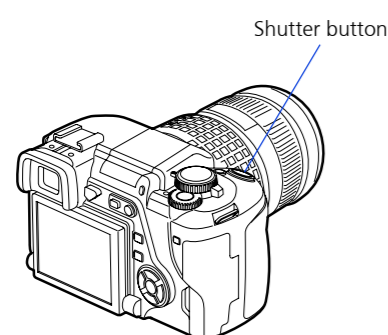
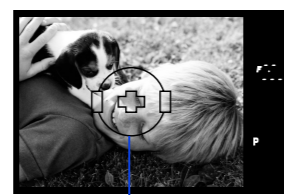
STEP

9

TAKING A PICTURE

a. Place the AF frame on the subject while viewing through the viewfinder.

b. Press and hold the shutter button halfway to lock the focus and exposure, then press the shutter button completely to take the picture.



STEP

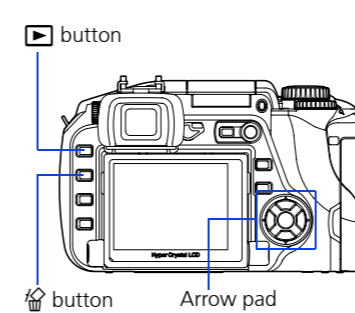
10

REVIEWING AND ERASING A PICTURE

a. Press the (playback) button. The last picture taken is displayed.

b. Use the arrow pad to select images you want to view.

c. To return to the shooting mode, press the shutter button halfway.



ERASING A PICTURE

a. Select the picture you want to erase and press the button.

b. Use to select **[YES]**, then press the button.



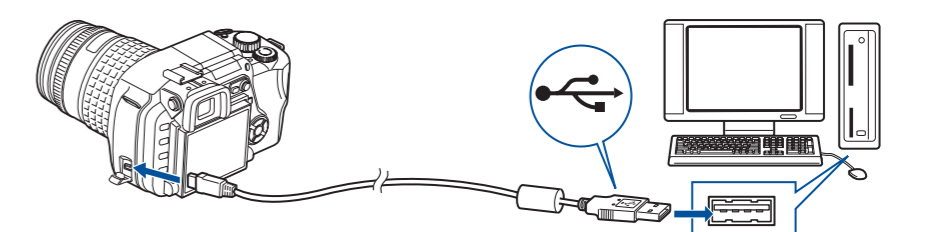
STEP

11

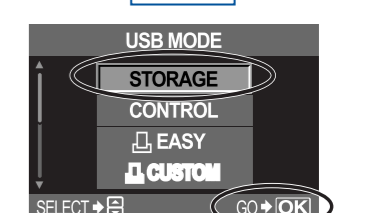
CONNECTING THE CAMERA TO A COMPUTER

a. Make sure the camera is off.

b. Connect the camera to the computer using the USB cable (included). Set the camera's power switch to **ON**.



c. Use to select **[STORAGE]**. Press the button.



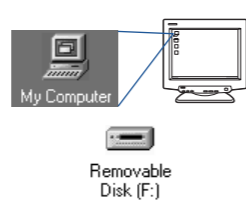
STEP

12

VERIFY CAMERA CONNECTION

WINDOWS:

a. From the desktop ("Start" menu for XP), open "My Computer".



b. Verify that the "Removable Disk" icon representing the camera is displayed.

MACINTOSH:

a. Verify that the "NO_NAME" icon representing the camera is displayed.



• The above steps confirm that the camera has been installed correctly. You can transfer your images immediately using the standard drag and drop procedure, or enhance your experience using OLYMPUS Master software (included).

STEP

13

ABOUT THE CD-ROM DISK



Now that you've mastered the basic functionality of your new Olympus Digital Camera, you are ready to begin exploring the possibilities that digital photography brings to your computer. Activities such as photo editing, printing and much more are only steps away!

OLYMPUS Master software: Download pictures from the camera, view, organize, retouch, e-mail and print your digital photos and movies and more! This CD also contains the complete software users manual in Adobe Acrobat (PDF) format.

STEP

14

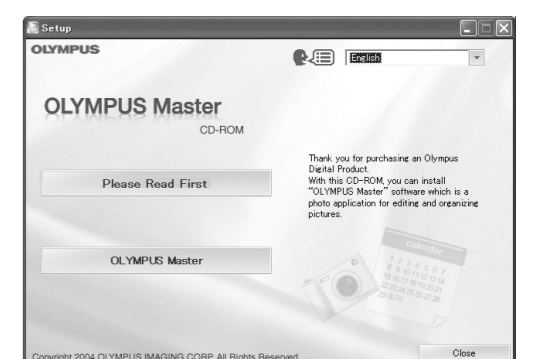
INSTALLING THE CAMERA SOFTWARE

a. Insert the OLYMPUS Master CD-ROM into your computer's CD-ROM drive.

b. For Windows:
Click the "OLYMPUS Master" button in the "Setup" window.

For Macintosh:
Double-click the "Installer" icon.

c. Follow the on-screen instructions. For more details, click "Please Read First".



Please refer to the Quick Reference Guide on the reverse side of this sheet to familiarize yourself with the commonly used features and functions of your new Olympus Digital Camera.

